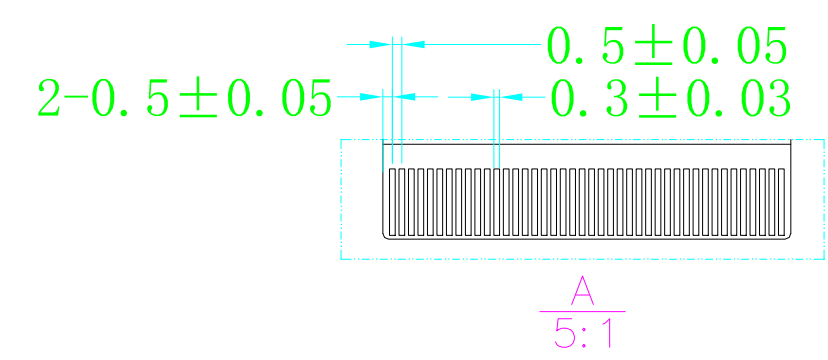
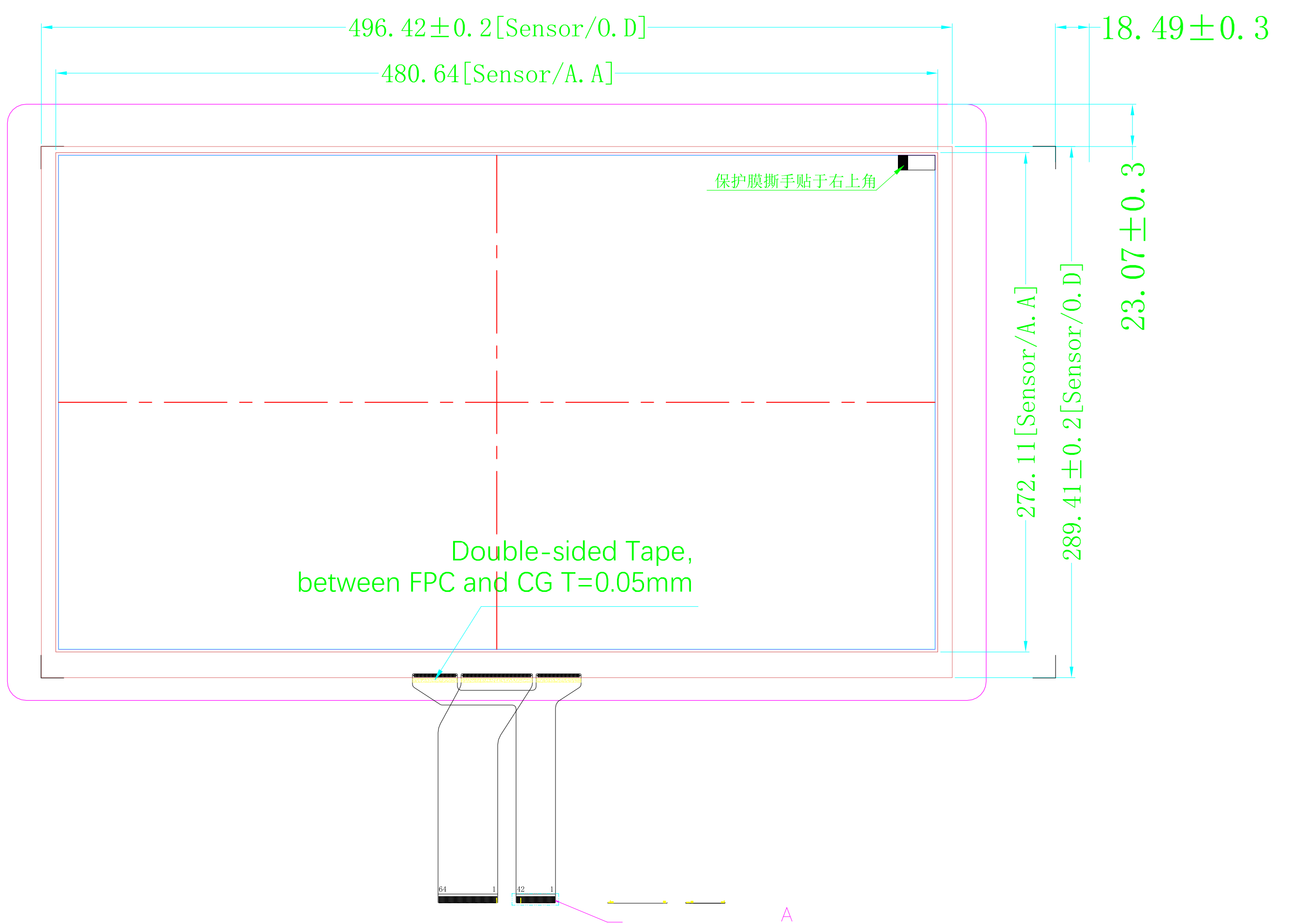
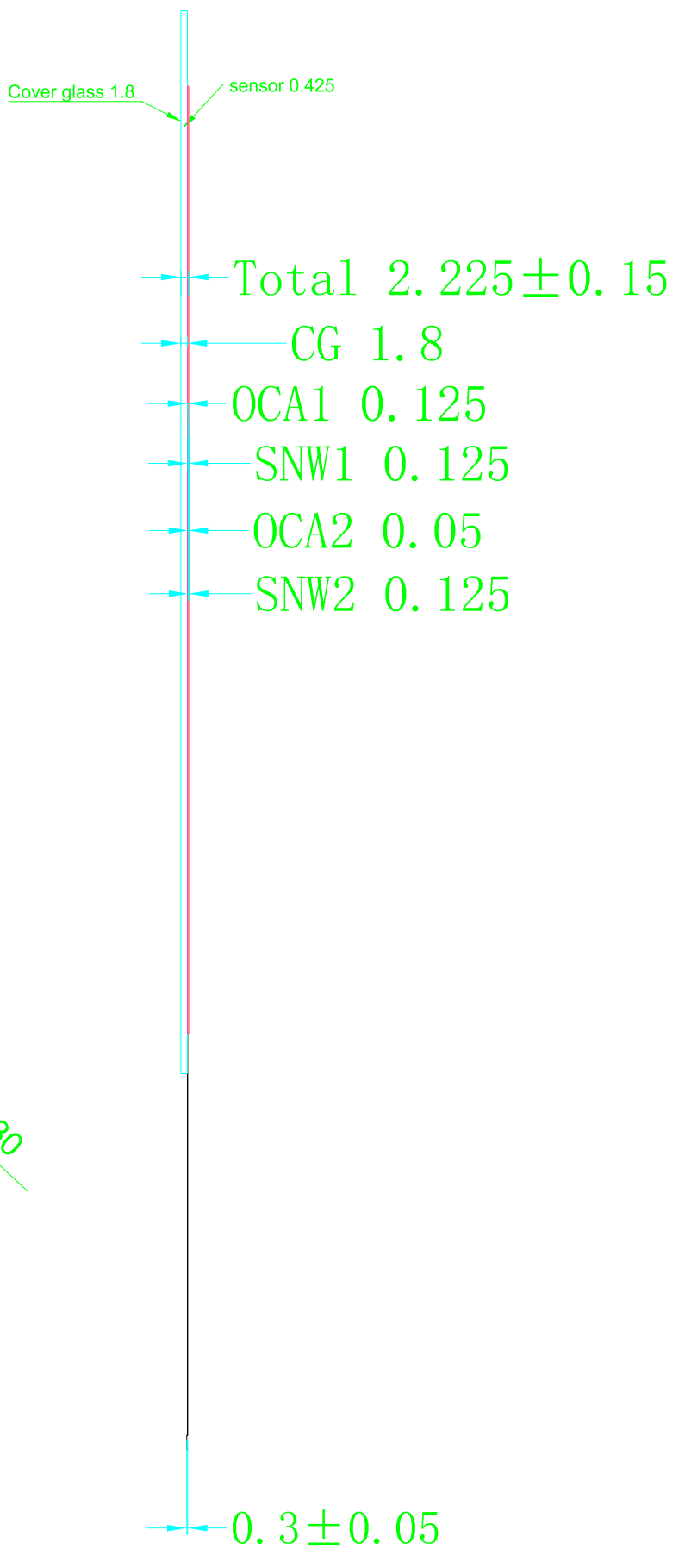
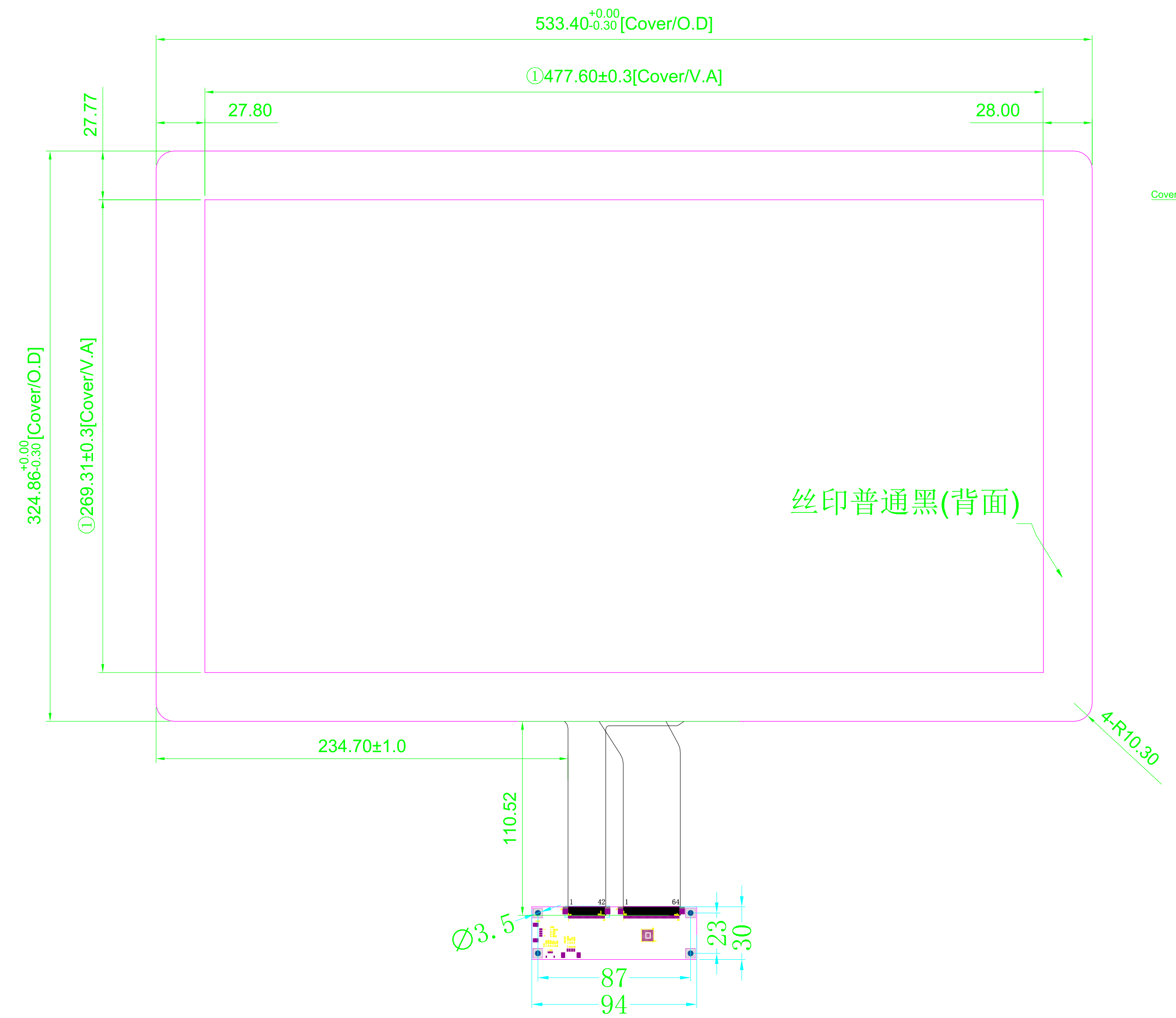


ver.	modify NO.	Details	Area	P. I. C	Date

TOP VIEW

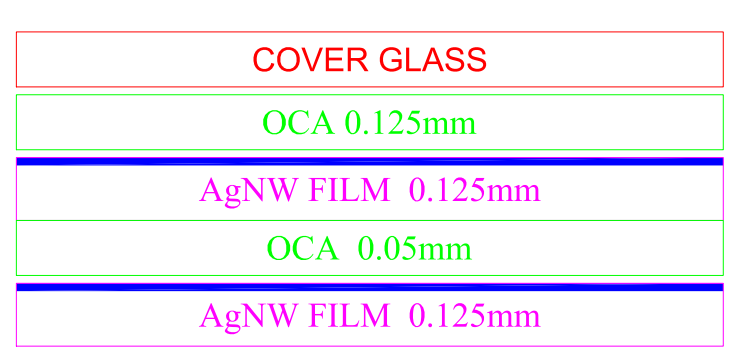
SIDE VIEW

REAR VIEW



- Notes:
1. Structure: G+F+F, COB: ILITEK 2510 TX36, RX60
 2. Cover lens material: Soda lime Glass, thermally tempered, Hardness > 6H ;
 3. unmarked tolerance: ± 0.2mm;
 4. mark **【】** --critical control dimensions must meet a tolerance.
 5. ROHS compliance;

GFF STACK UP



Designed by:	D030
Checked by:	T006
Approved by:	P012
Workmanship:	W002
Standardization:	S015
Released by:	M012

Part No.	SNT-NS-TPB-21.5-ILI		
Product Name:	21.5inch Touch Panel	Drawing No.	C20200715N215
Business Unit:	SNT-BTP	Project Code.	N21502S
BOM Code	1.12.215.02.2005	Period Mark	View Angle
Product Series	BTP-NS	A	Ratio
		Page 1	Total 1 Page
思诺泰科创电子(苏州)有限公司 SINOTELECTRONICS INC.			